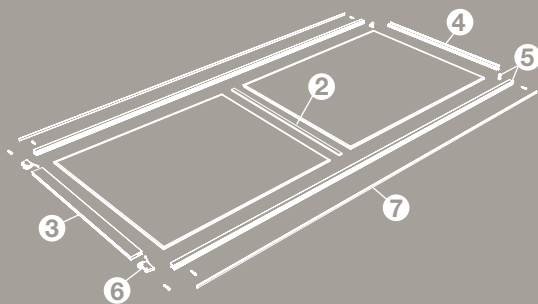




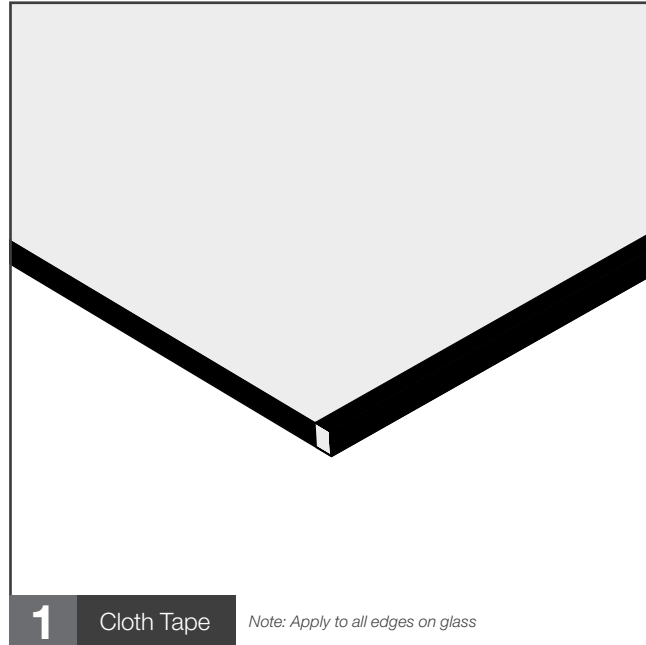
Switch (Double Sided) Sliding Doors

Using 2x 4mm pieces of glass
or 8mm wood

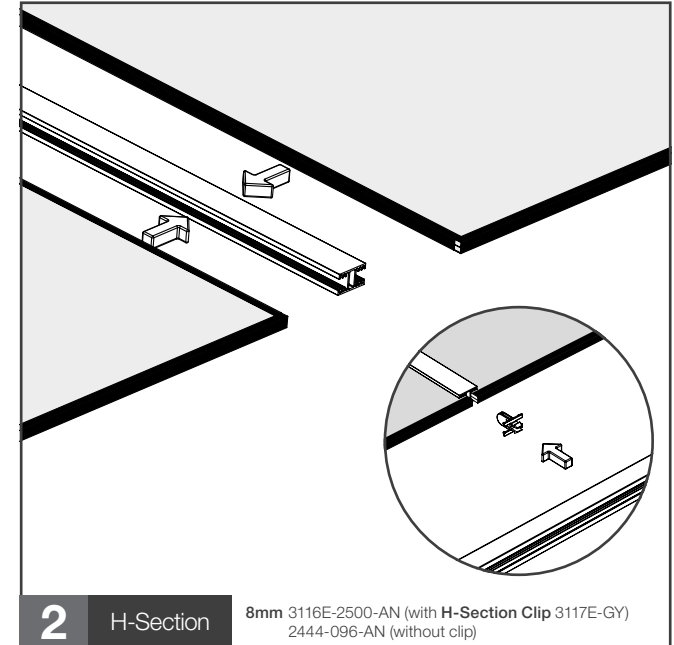
Assembly Instructions V1 05.2015



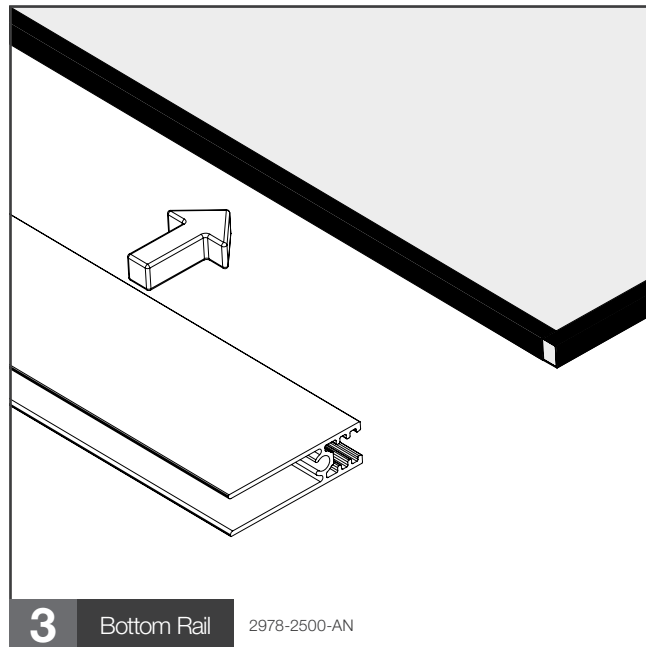
space·pro^o
HARDWARE



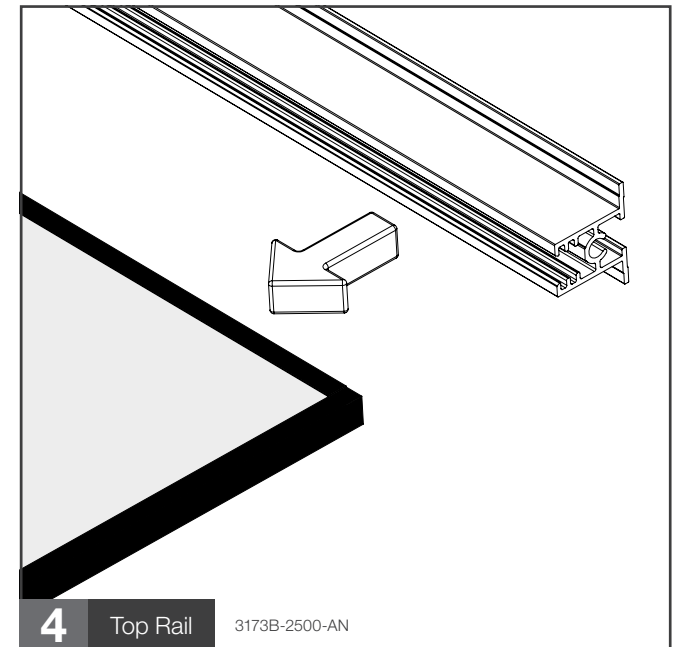
1 Cloth Tape *Note: Apply to all edges on glass*



2 H-Section **8mm 3116E-2500-AN (with H-Section Clip 3117E-GY)
2444-096-AN (without clip)**



3 Bottom Rail **2978-2500-AN**



4 Top Rail **3173B-2500-AN**

