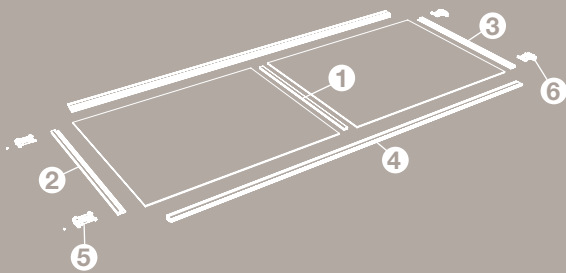




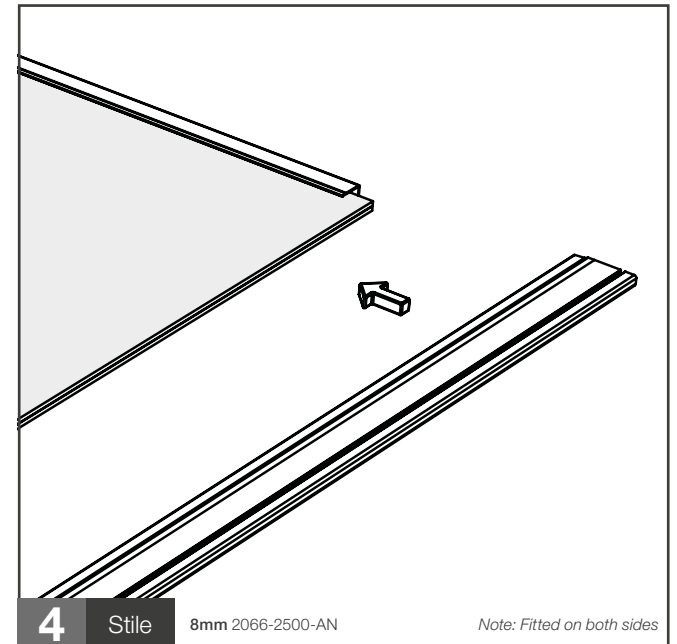
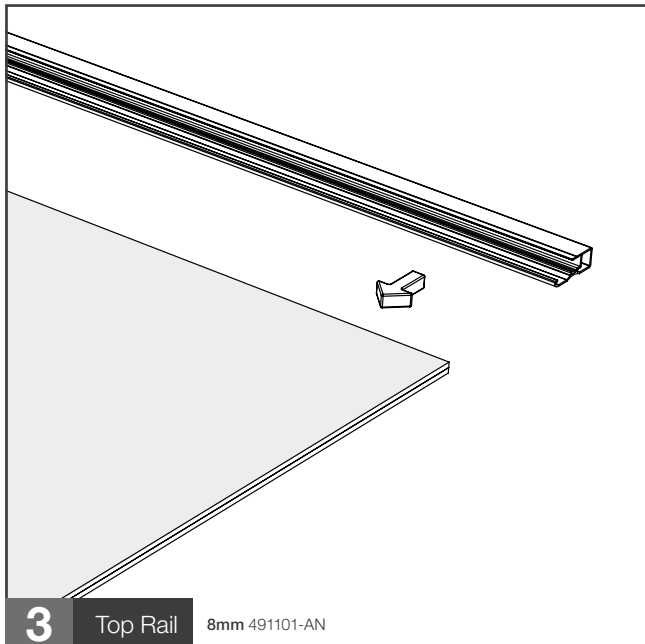
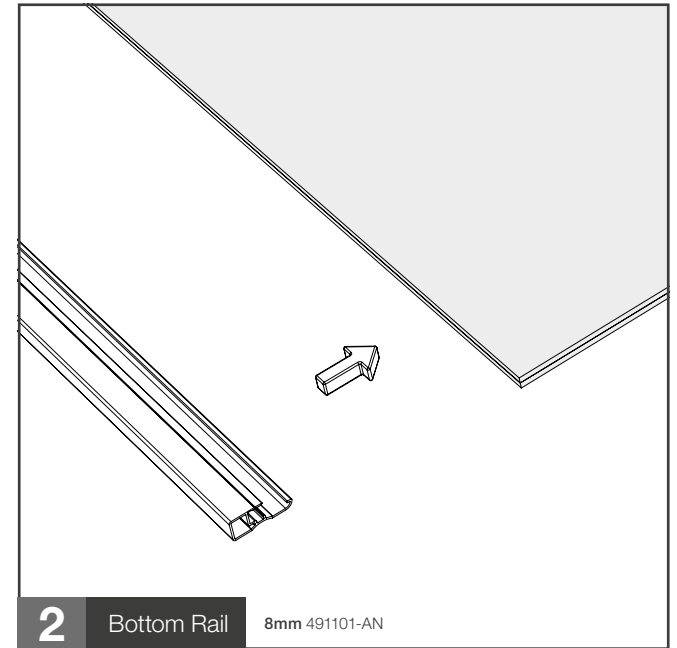
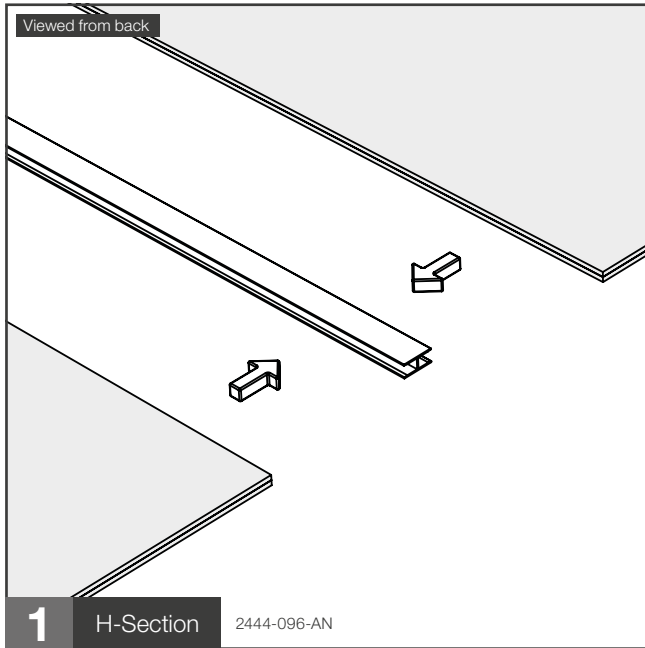
# Ellipse (Single Sided) Sliding Doors

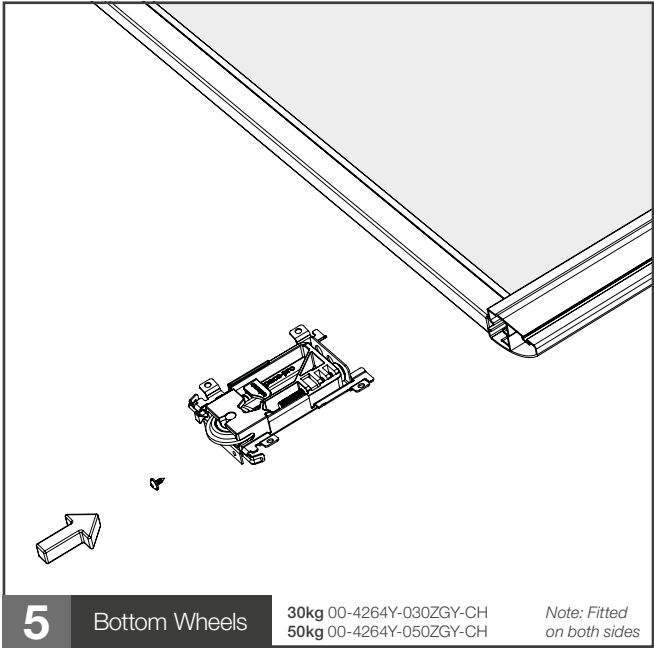
Using 4mm glass & backing panel  
or 8mm wood

Assembly Instructions  
V1 05.2015



space·pro<sup>o</sup>  
HARDWARE

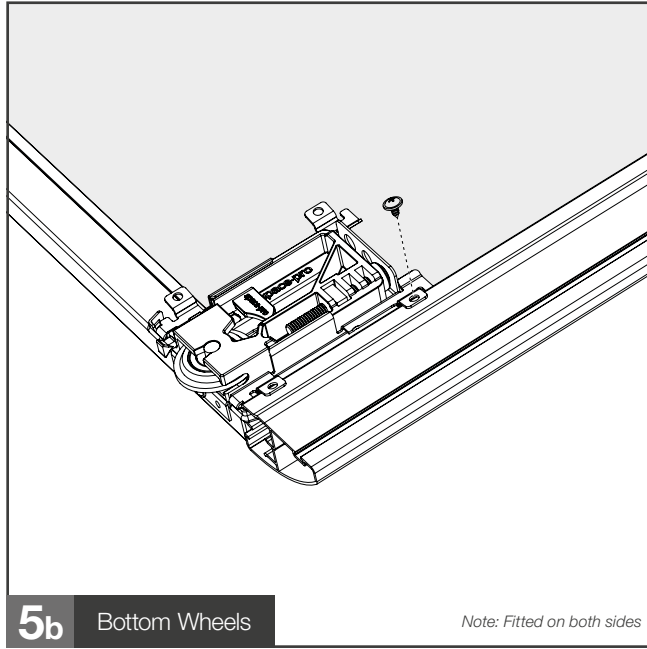




**5** Bottom Wheels

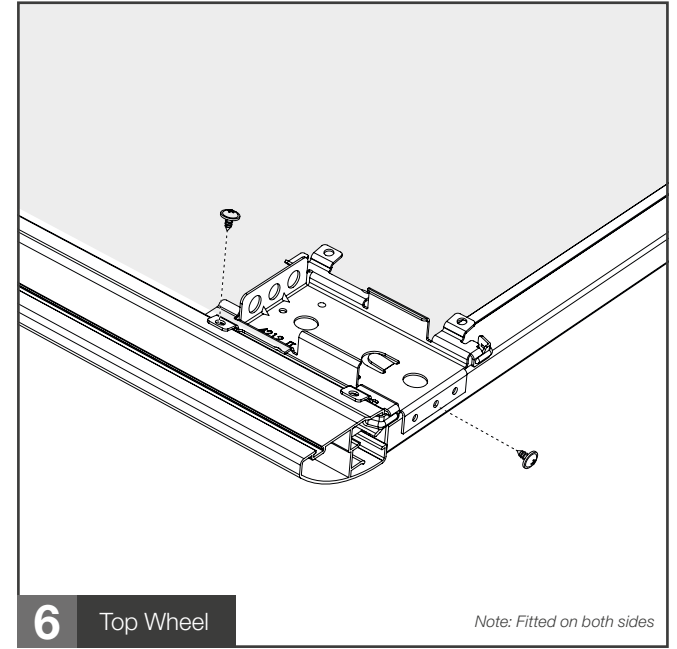
30kg 00-4264Y-030ZGY-CH  
50kg 00-4264Y-050ZGY-CH

*Note: Fitted  
on both sides*



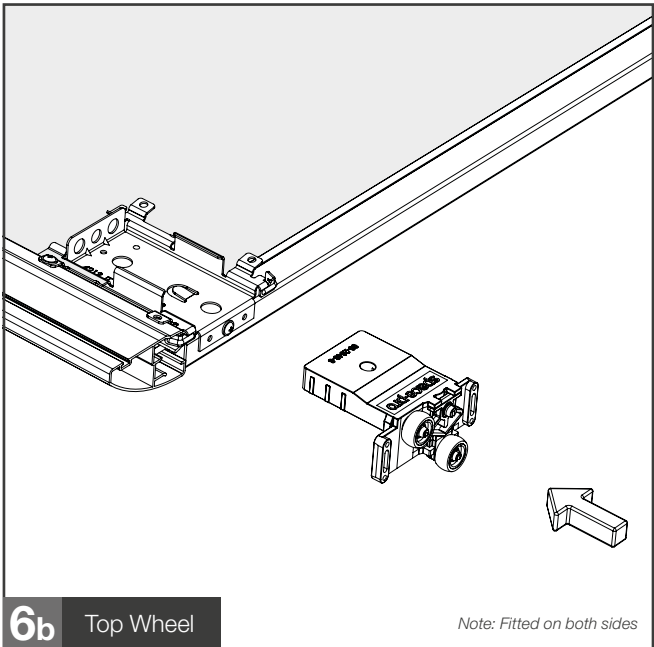
**5b** Bottom Wheels

*Note: Fitted on both sides*



**6** Top Wheel

*Note: Fitted on both sides*



**6b** Top Wheel

*Note: Fitted on both sides*