

space.pro^o
HARDWARE

ELEVATION

Storage System





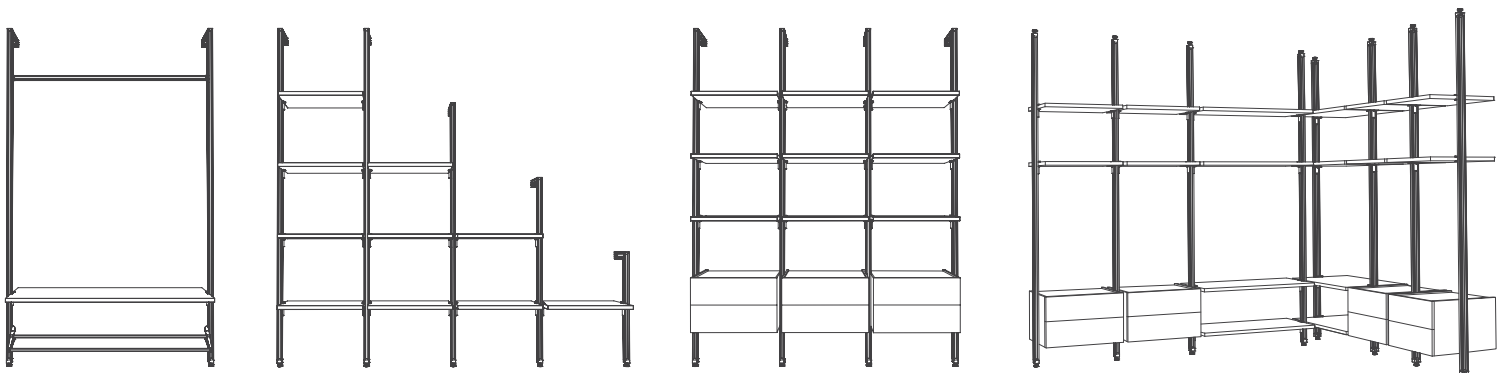
Spacepro Hardware are proud to introduce the ultimate in modular furniture with the Elevation stanchion system.

This contemporary storage system is the height of design and will appeal to the most demanding of customers. Available in a cool, soft metallic finish, its clean, sleek lines are retained with flush fitting accessories. There are brackets for shelves, drawers and hangers, so the result not only looks stunning but fulfils every storage requirement.

Key features:

- Beautiful design
- Modular and adaptable
- Patented fixing system for the accessories
- Soft metallic colours to tone in with on-trend, muted wood grains

Assembly Examples...





Stanchions

Floor to ceiling stanchion

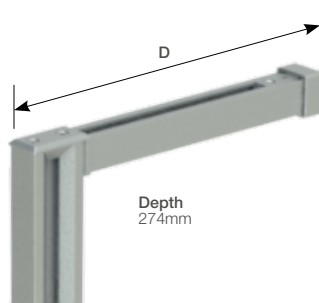
2700mm BP-3393-2700-TI
 2400mm BP-3393-2400-TI
 10 QTY



Height
67mm

Return wall support

3880-OS-BTW-TI
 24 QTY



(Use with stanchion)

ELEVATION

Brackets

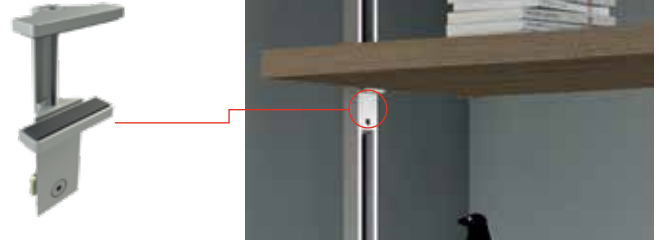
Upper drawer bracket

BP-3391-TI
40 QTY



Shelf bracket

BP-3075B-TI
40 QTY



Lower drawer bracket

BP-3389-TI
40 QTY



Angled brackets

Left BP-3387L-TI
Right BP-3387R-TI
40 QTY



Hanger bar assembly

1000mm BP-3370-1000-TI
500mm BP-3370-500-TI
1 QTY



Shoe gripper

996mm BP-3341-996-TI
(For use with 1000mm shelf)
496mm BP-3341-496-TI
(For use with 500mm shelf)
24 QTY



All items supplied in multiples of the quantities stated.

Component finishes available to Elevation Storage System:

TI Titanium



Visit spaceprohardware.com
for more information

ELEVATION



space·pro^o
HARDWARE

CLEVER STORAGE... FOR ANY ROOM, IN ANY HOME

ELEVATION

Storage System

spaceprohardware.com

Home Decor GB Ltd

Innovation Way, Woodhouse Mill, Sheffield, S13 9AD. UK

+44 (0) 114 293 3000