

space·pro^o
HARDWARE

SUPERIOR

Door Hardware





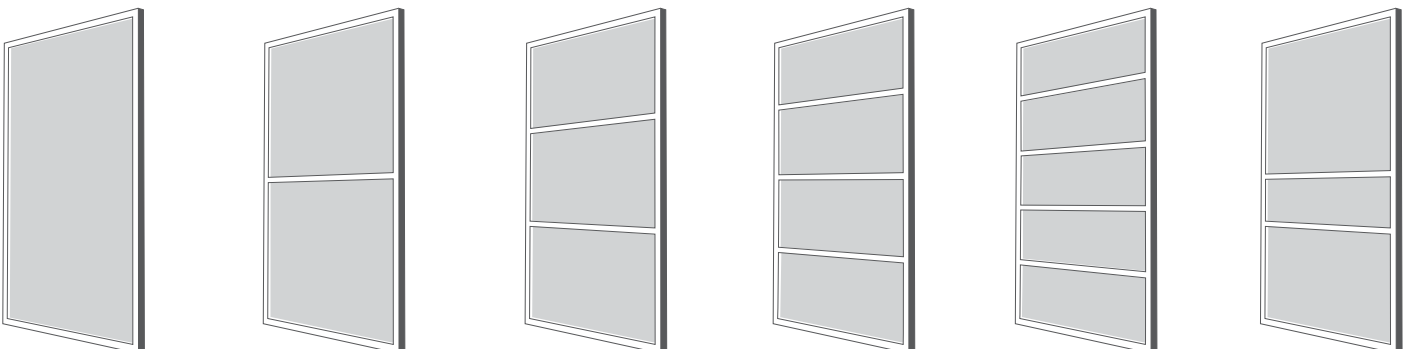
Spacepro are proud to present our brand new Superior aluminium door system.

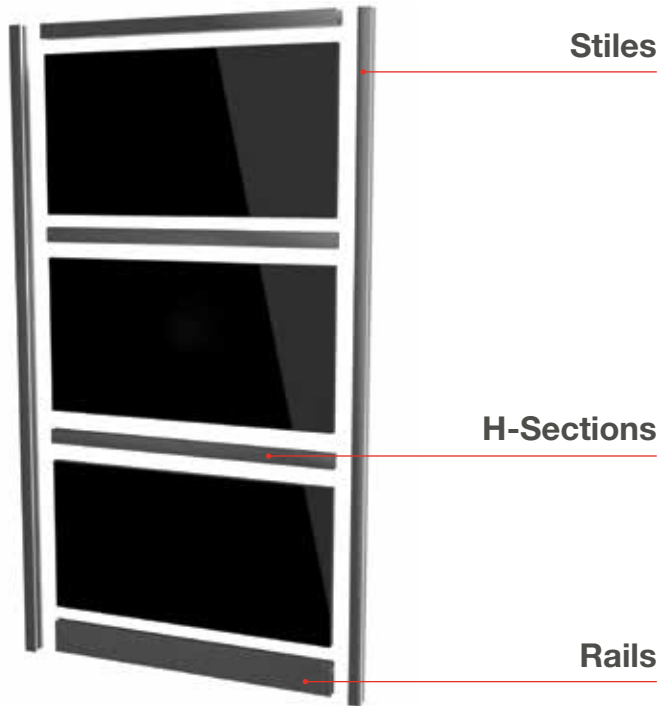
With this top of range system you can create truly breathtaking wardrobes and room dividers.

Key features:

- Ergonomic profile design for easy opening and closing
- Innovative H section clips into the profile for a robust and sturdy construction
- A soft metallic colour to tone in with on-trend, muted wood grains
- For both single and double sided doors

Door suggestions...

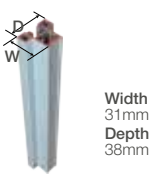




Door Components

Stiles

T Profile
BP-3346-2700-TI



Width
31mm
Depth
38mm

Curved Profile
Titanium BP-3347-2700-TI



Width
31mm
Depth
38mm

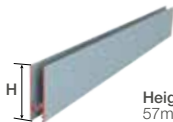
Rails

Top Rail
Titanium BP-3173C-2500-TI



Height
24mm

Bottom Rail
Titanium BP-3187F-2500-TI



Height
57mm

H-Section

Titanium BP-3116E-2500-TI
(Use with H-Section Clip 3117E-GY)



Height
25mm

H Section Clip
3117E-GY



Running Gear

Top Wheel
Left BP-3382-L
Right BP-3382-R



Bottom Wheel
BP-3404



Soft Close

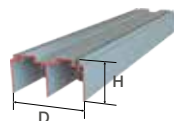
25kg BP-197-515-102
50kg BP-197-500-100



Top Tracks

Double Channel
Titanium BP-3352-5000-TI

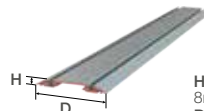
Top Track Clip Cover
BP-3359-TI (This item should be bought with the top tracks)



Height
48mm
Depth
93mm

Bottom Tracks

Double Channel
Titanium BP-3355-5000-TI

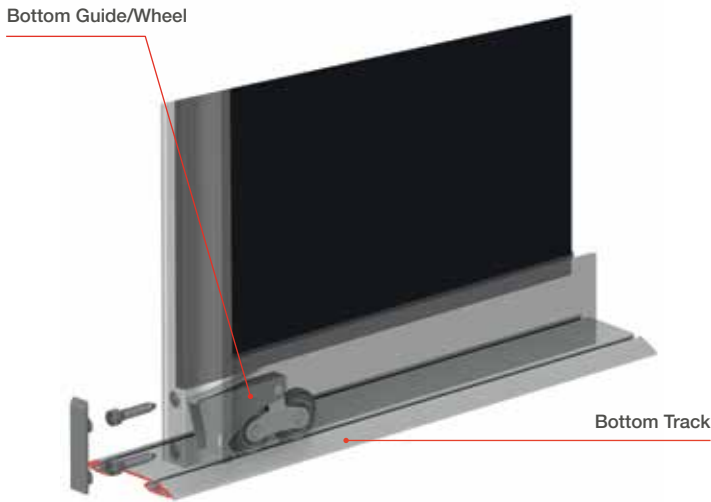


Height
8mm
Depth
125mm

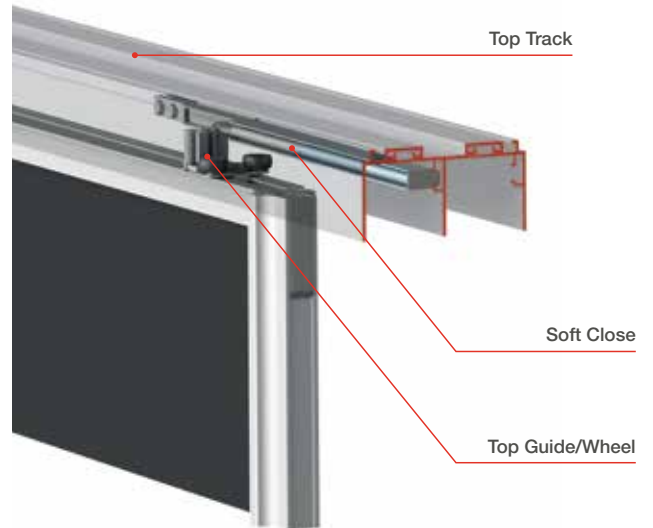
SUPERIOR

Door Installation

Top tracks are also compatible with single sided soft close.



(Shown above is the curved stile)



(Above image is shown from the back of the door)

Door Installation Order



Technical Information

Calculating doors, overlap widths and compensation kits.

Sliding Door Overlap	24mm
Door Height	Opening height minus 57mm (track & wheel allowance)
Door Width (for sliding doors)	$\frac{\text{Opening width} + (\text{Number of overlaps} \times \text{Overlap length})}{\text{Number of doors}}$
Stile Length	Equivalent to door height
Rail Length	Door width minus 58mm
H-Section Length	Door width minus 61mm
Panel Height (1 Panel)	Door Height minus 60mm
Panel Height (Multi Panel)	Panel height divided by the quantity minus 7mm for each break
Panel Width	Door width minus 40mm
Wall Compensation Kit	Ceiling Compensation Kit
Allows for out of true walls up to 25mm	Allows for out of true ceilings up to 25mm
Minus 52mm from opening width for each wall	Minus 9mm from opening height
8mm panel insert is needed to create different widths: Double track – W 103mm x height Triple track – W 149mm x height	

Additional Items

Framed Door Flexible PVC Gasket
8-4mm BP-3430

Self tapping bolt Ø6x35mm
(Domalti doors x4ea)
3057-000

Glazing Tape
155-90-28

Stile Buffer cover -
unbranded titanium
3763-TI

M5x30mm Hex socket cap head
bolt/ AV paint (8mm Domalti)
3056-000

Visit spaceprohardware.com
for more information

SUPERIOR



Finish available to Superior Doors

TI Titanium



space·pro^o
HARDWARE

CLEVER STORAGE...
FOR ANY ROOM,
IN ANY HOME

SUPERIOR
Door Hardware

spaceprohardware.com

Home Decor GB Ltd
Innovation Way, Woodhouse Mill, Sheffield, S13 9AD. UK
+44 (0) 114 293 3000